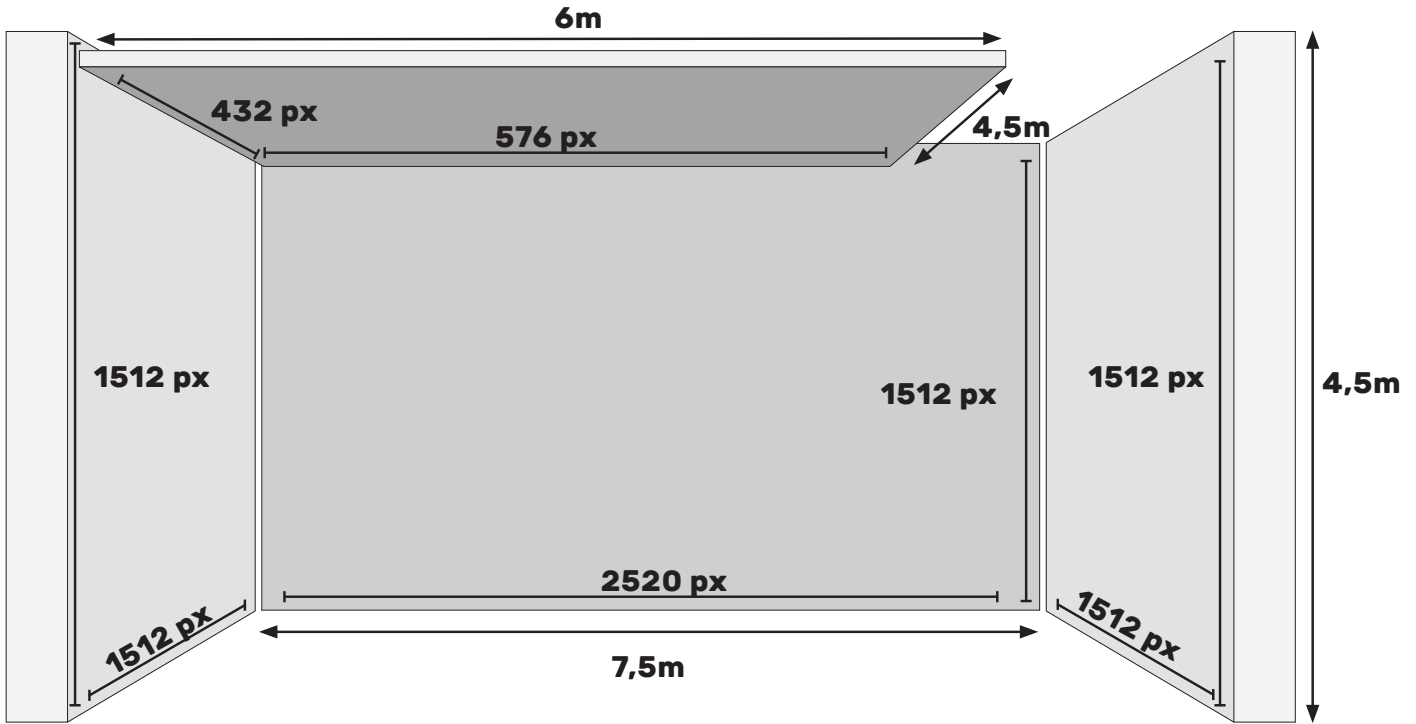


XR Studio Technical Specifications

LED WALL



Rear wall	7,5 m x 4,5 m (bxh)
Side walls	4,5 m x 4,5 m (bxh) each
Ceiling	6 m x 4,5 m (bxh)
Total resolution	5544 px x 1512 px
Rear wall resolution	2520 px x 1512 px
Side wall resolution	1512 px x 1512 px each
Ceiling resolution	576 px x 432 px each (10mm PP)
Playback to 2 controllers	
Controller A	2856 px x 1512 px
Controller B	2688 px x 1512 px
Electricity demand	1x 125 A CEE (on the Rear Wall of the LED)
maximum demand at 100 % white	ca. 61.000 W
Electricity costs	ca. 24€/h



XR Studio Technical Specifications

ROE DIAMOND 2.6

	General Specs
Indoor/outdoor	Indoor
Brightness	1500 nits
Processor	EVISION
Software	EVISION 102
Refresh rate	1920HZ
	Pixel
Pixel pitch	2.6 mm
Led type	SMD 1515 Black
Pixel density per sqm	147.456
Pixels per module	192 x 192
	Viewing angle
Horizontal	140°
Vertical	140°
	Measures and weights
Width	50 cm / 19.69"
Height	50 cm / 19.69"
Depth	8.1 cm / 3.2"
Weight per module	5,76 kg / 12.7 lbs
Max stacking	12 modules
Max hung	20 modules
	Power consumption
Max input power/module	160 Watt
Average input power/module	90 Watt